

GLASER®

NEWS 2007

PASSEND FÜR - SUITABLE TO - ADAPTABLE À - ADAPTABLE A:

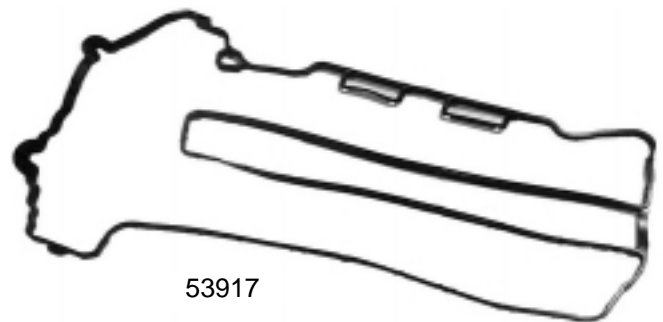
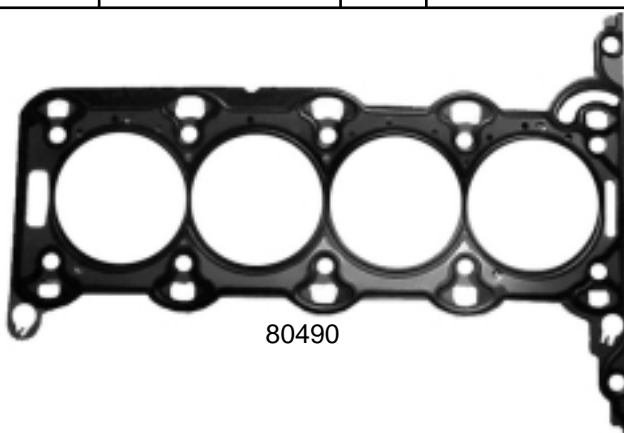
D36802 81F

Opel 1.2 - 1.4 Ltr. 16 Valves

Agila-Astra 1.2	09/2000 ->	Mot:		Corsa C 1.2	09/2000 ->	Mot:	
H00 Ranchera		Z12 XE	55Kw/75Ps	F08-F68-F08-W5L		Z12 XE	55Kw/75Ps
Agila 1.2	07/2004 ->	Mot:		Corsa C 1.2	07/2004 ->	Mot:	
H00 Ranchera		Z12 XEP	59Kw/80Ps	F08-F68-F08-W5L		Z12 XEP	59Kw/80Ps
Astra H-GTC 1.4	03/2004 ->	Mot:		Corsa D 1.2	07/2006 ->	Mot:	
FastBack		Z14 XEP	66Kw/90Ps	FastBack		Z12 XEP	59Kw/80Ps
Astra H 1.4	08/2004 ->	Mot:		Corsa D 1.4	07/2006 ->	Mot:	
Ranchera		Z14 XEP	66Kw/90Ps	FastBack		Z14 XEP	59Kw/80Ps
Combo 1.4	08/2005 ->	Mot:		Combo 1.4	10/2004 ->	Mot:	
Furgon		Z14 XEP	66Kw/90Ps	Tour-Limulina		Z14 XEP	66Kw/90Ps
Meriva 1.4	07/2004 ->	Mot:		Tigra 1.4	06/2004 ->	Mot:	
Limulina		Z14 XEP	66Kw/90Ps	Descapotable		Z14 XEP	66Kw/90Ps

REF.	Descripcion	Unid.	Nº Original
D36802	Head Gaskets Set	1	16 06 247
80490	Head Gasket	1	56 07 837
53917	Valve Cover	1	56 07 467
88909	Intake Manifold G.	4	58 50 796

REF.	Descripcion	Unid.	Nº Original
76707	Valve Stem	16	642 500
81822	Exhaust Manifold G.	1	24 457 013
52443	Exhaust Manifold G.	1	850 673



76707



Auxiliary Gasket Included in set:

